

# ELONGATED SOFT CLOSE SEAT

Cat. No.  
SCSEL



## Features:

- ▶ Soft close
- ▶ Durable polypropylene plastic with UV protection
- ▶ Corrosion proof nuts, bolts and washers
- ▶ Rubberized non-skid pads
- ▶ Available in 3 colors
- ▶ Also available in round style (#SCSRF)

## Colors:

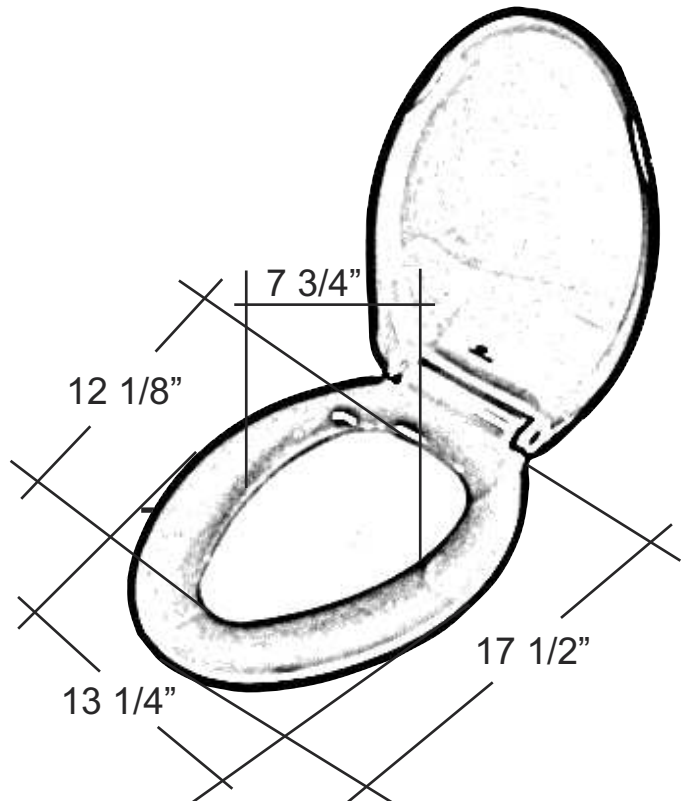
**WH** White  
**BQ** Bisque  
**BL** Black

L: 17 1/2"

W: 13 1/4"

## Interior Dimensions:

Length: 12 1/8"  
Width: 7 3/4"



Dimensions and specifications subject to change without notice.